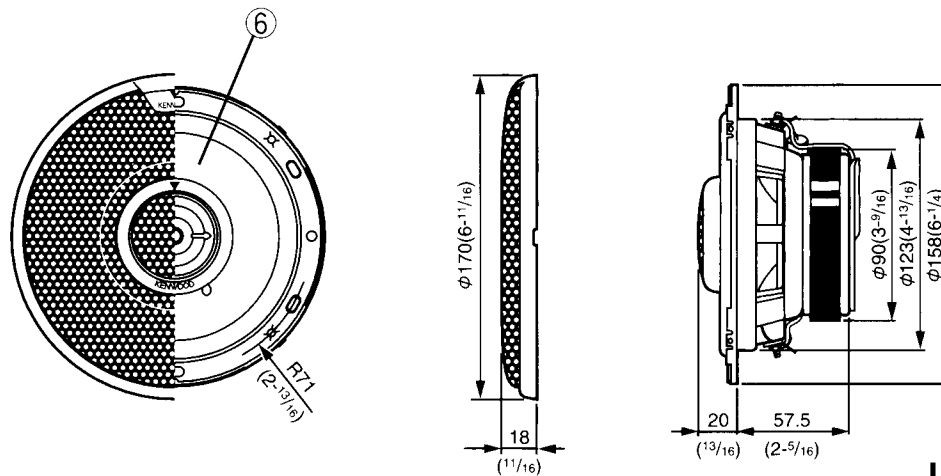
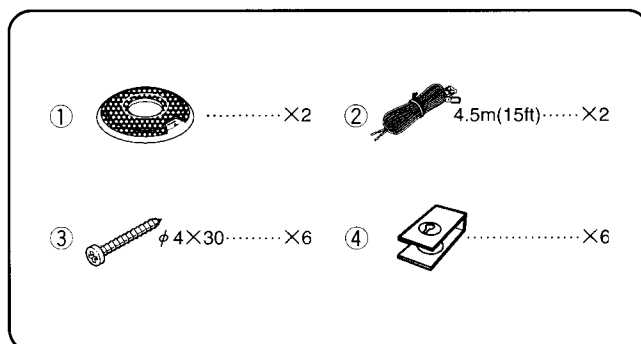


EXTERNAL VIEW**UNIT : mm (inch)****PARTS INCLUDED****PARTS LIST**

* New parts

Parts without **Parts No.** are not supplied.Les articles non mentionnés dans le **Parts No.** ne sont pas fournis.Teile ohne **Parts No.** werden nicht geliefert.

Ref No.	New Parts	Parts No.	Description
①	*	B06-1079-08	GRILLE ASSY
②		E30-5367-08	CORD ASSY
③, ④		N99-1283-05	SCREW SET
⑥	*	T15-0336-08	SPEAKER

SPECIFICATIONS**Speakers**

Woofer	158mm(6in) Pearl Mica Cone Type
	340g(11.9oz) Magnet
Tweeter	40mm(1-9/16in) P.P.T.A. Balanced Dome Type
Peak Power	150 Watts
Frequency Response	35 Hz~30,000 Hz
Sensitivity	92 dB/W at 1m
Impedance	4 Ohms
Net Weight With Grille	2,180g(4.8 lb)/Pair

We follow a policy of advancements in development. For this reason specifications may be changed without notice.